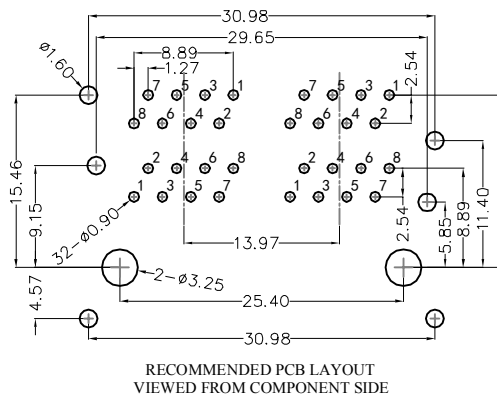
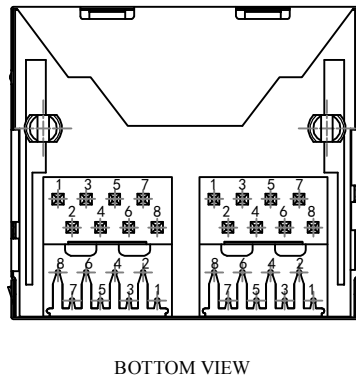
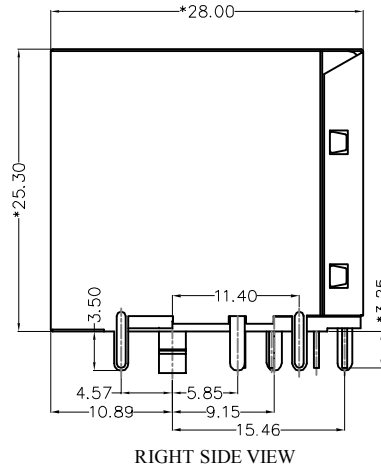
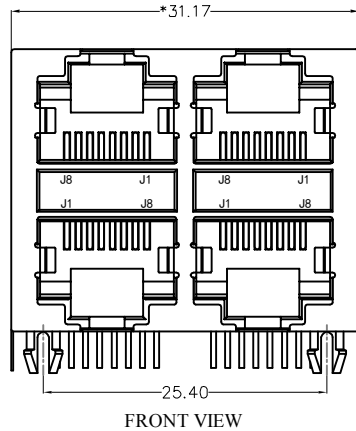


REACH & RoHS
COMPLIANT

| REV. | ECN / DESCRIPTION | BY | DATE |
|------|-------------------|-------|------------|
| A0 | NEW | MQ.QU | 2018.03.01 |



MATERIAL:

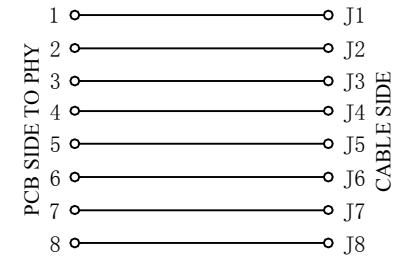
HOUSING: PBT,UL94V-0, BLACK.
TERMINAL: PHOSPHOR BRONZE Ø=0.46MM, G/FU" GOLD PLATING.
SHIELD: C2680,T=0.20MM, 20 MIN NICKEL PLATING
ON ALL AREA.

MACHANICAL:

DURABILITY: 750 CYCLES MIN,12.5MM/MINUTE.
INSERTION FORCE : 2.2KG.F MAX.
RETENTION STRENGTH : 7.7KG.F BETWEEN JACK AND PLUG .
OPERATING TEMPERATURE: -40 °C~+85 °C.
STORAGE TEMPERATURE: -40°C~+85°C.
ALL CRITICAL DIMENSIONS WITH "*"

ELECTRICAL:

VOLTAGE: 125 VOLTS AC.
CURRENT RATING : 1.5AMP.
DIELECTRIC STRENGTH : 1000 VAC RMS 50HZ OR 60HZ,1 MIN.
INSULATION RESISTANCE: 500 MEGA OHMS MIN. INITIAL
AFTER 500V DC FOR 1 MINUTE.
CONTACT RESISTANCE: SINGLE TERMINAL 30 MILLIOHMS MAX.
INITIAL 50 MILLIOHMS MAX. AFTER
DURABILITY TEST.



DGKYD

东莞市科优达电子科技有限公司
Dong Guan Ke You Da Electronic Tech.Co.,Ltd

ADD: No.1 LiHe Street,LiHeng Village,Qingxi town, DongGuan City,GuangDong Province
Tel:+86-0769-87334608; Fax:+86-0769-87847129 WWW.DGKYD.COM

| | | | | | |
|---------------------------------------|--------------|-------------------|--|------------|-------------------------|
| TITLE: RJ45 5921 2*2 | SIZE A4 | UNITS MM[INCH] | GENERAL TOLERANCES UNLESS SPECIFIED | | APPROVED BY: JP.Gong |
| PART NO.: DGKYD59212288GWA1DY1E022 | SACLE 1:1 | REV A0 | x±0.35 | x°±3.0° | CHECKED BY: TW.Xu |
| REMARK: | SHEET 1/1 | | .x±0.30 | .x°±2.0° | DESIGND BY: MQ.Qu |
| | | | .xx±0.25 | .xx°±1.5° | |
| | | | .xxx±0.10 | .xxx°±1.0° | |